

Perfect Electronics Limited

MAIN AGENTS AND DISTRIBUTORS
OF COMMUNICATIONS EQUIPMENT

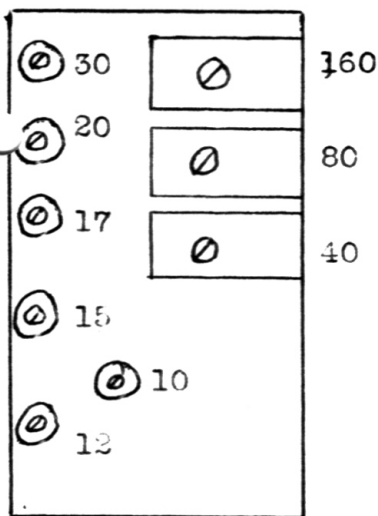


THE SYMBOL
OF TECHNICAL
EXCELLENCE

508 - 516 Alum Rock Road, Alum Rock, Birmingham B8 3HX
Telephone: 021-327 1497 or 021-327 6313 Telex: 337045

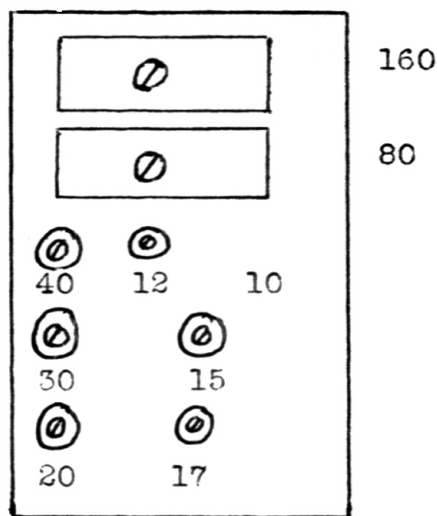
Date:

FT 101 B Mk III WARC ALIGNMENT



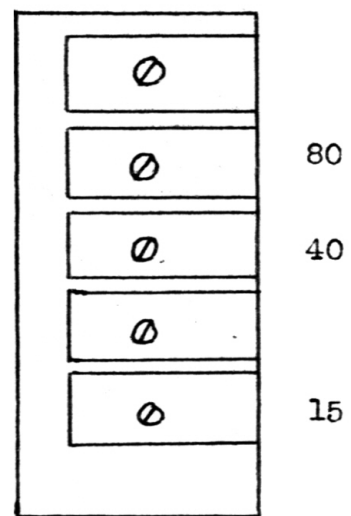
Trimmer Board

'A'



Trimmer Board

'B'



Trimmer Board

'C'

The Above Shows The Trimmer Boards On The underside of the unit
(101 Mkiii) allowing adjustment of preselect and P.A.

o 2) VARIAN

ix THROUGH POSITIONS



THRU
C

THRU
B

THRU
A

FRONT PANEL

160589

TECHNICAL BULLETIN #4

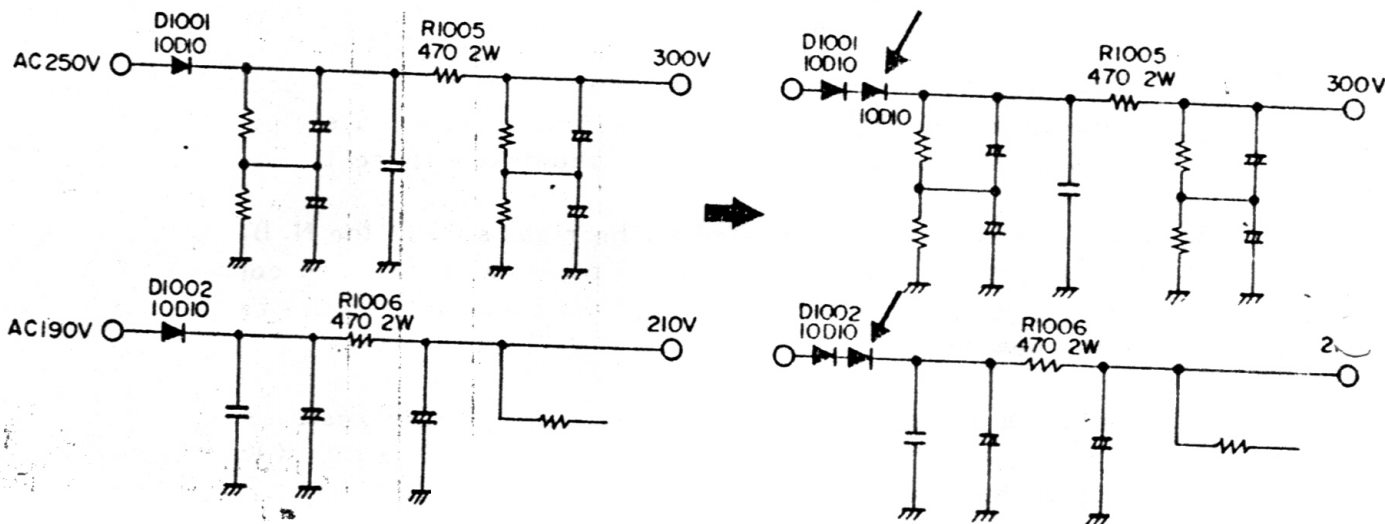
FT-101Z/FT-901 Series

* * * * *

In order to provide additional protection for the 300V and 210V lines in the FT-101Z/ZD series transceivers bearing serial numbers 010001 through 029999, we recommend the following modifications be performed.

MODIFICATION PROCEDURE

1. Refer to the schematic and pictorial below, and add a 10D10 diode in series with each of D1001 and D1002.
2. The pictorial describes the proper installation technique.
3. As an alternative, the modification shown on the following page, with reference to the FT-901 series, may also be performed. In production, the modification shown with regard to the FT-901 series is being adopted. The modification shown below is recommended in the interest of reduced service time.



OLD

NEW

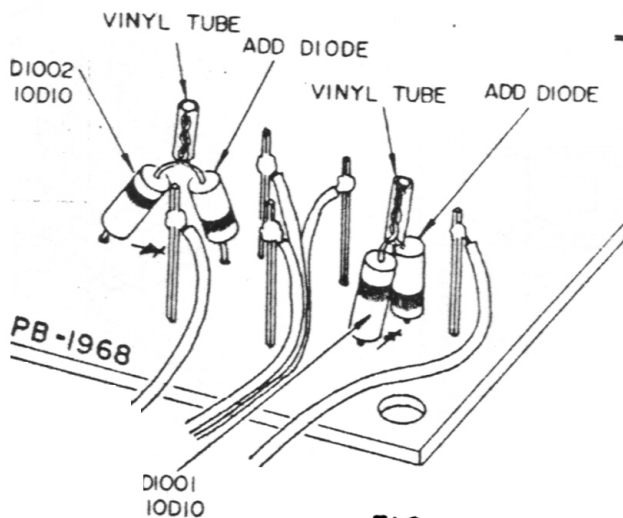


FIG-1

TECHNICAL BULLETIN

No. 29

FT-101Z

* * * * *

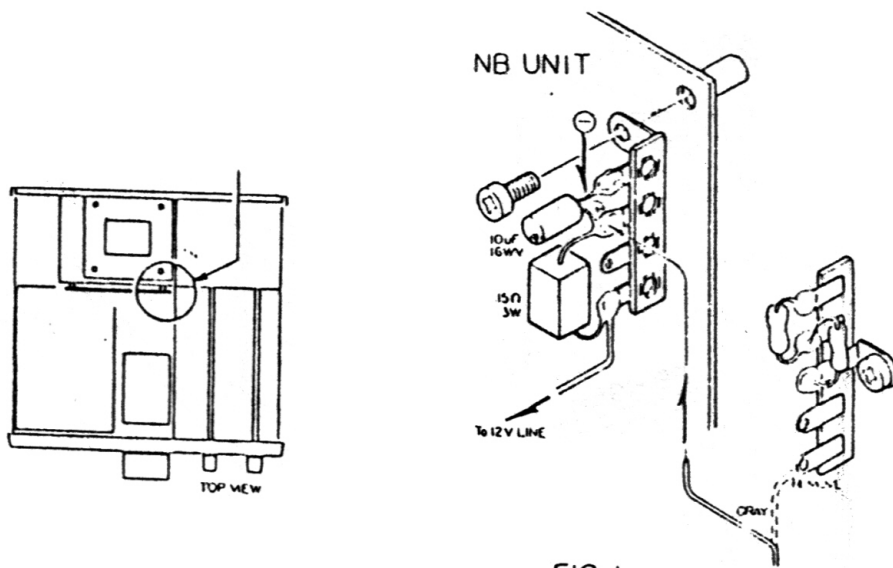
This modification will eliminate the internal beat which passes from the counter unit through the Vcc line to the RX section of the FT-101Z. Only FT-101Z transceivers with serial numbers below 15999, in which the One-chip type counter unit is installed, need to perform this modification.

Required Parts

Cement molded Resistor	3 watts, 15 ohms	1 pce.
Electrolytic Capacitor	16 WV, 10 uF	1 pce.
Terminal Strip	1 L 3 P	1 pce.
Hook-up Wire		30 cm.

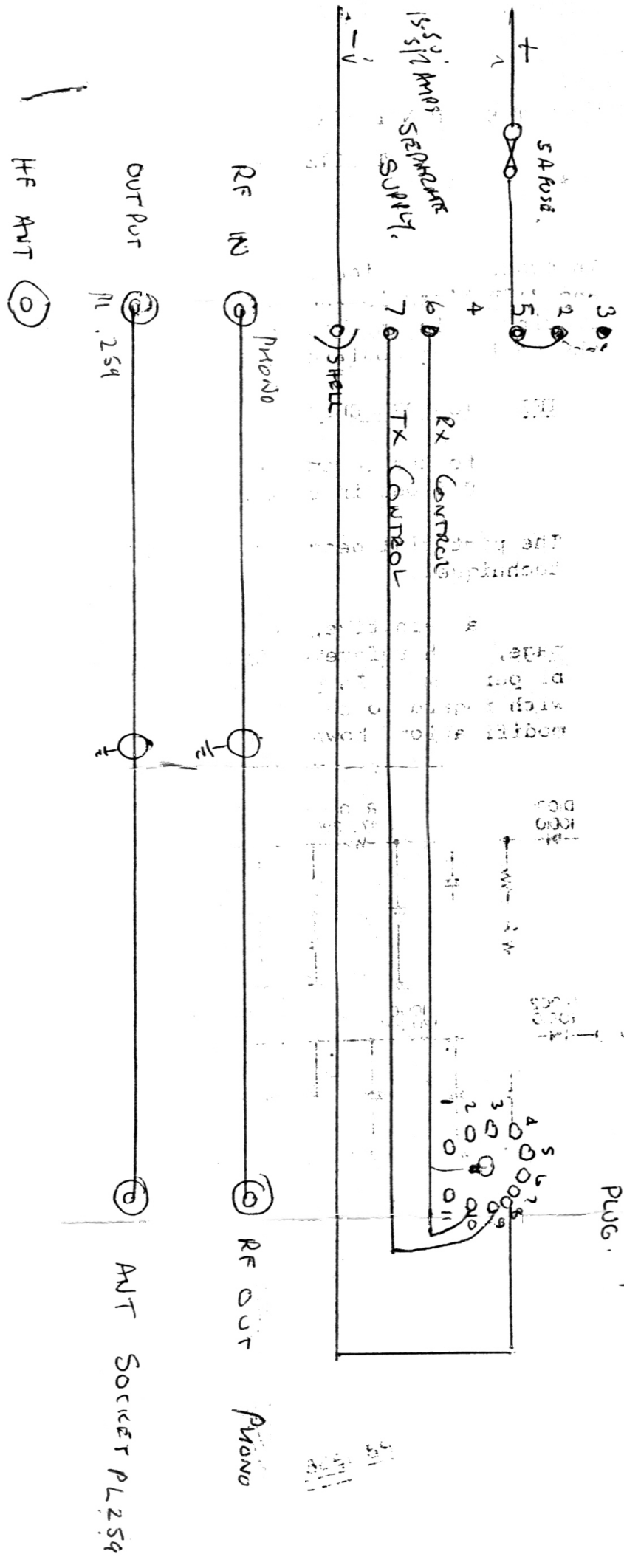
MODIFICATION PROCEDURE

1. Solder a 3 W, 15 ohms resistor and a 16 WV 10 uF capacitor on the terminal strip. Fix the assembled terminal strip, using the N. B. unit mounting screw, as shown in Figure 1.
2. On the terminal strip located at the right side of the N. B. Unit, disconnect the gray wire from the terminal strip, and connect it to the junction of the 10 uF capacitor and the 10 ohm resistor on the new terminal strip.
3. Connect a wire from the open side of the 10 ohm resistor to the 12 volt line, located at the fourth terminal from the top of the terminal strip on the rear side of the S-meter.



FT107

FT1012 D.
11 PIN ACCESSORY
PLUG.



CHANGE PILOT
LEAD TO PL1605UT
LINK 3/2.

FT SEPARATE 11 PIN ACC PLUG
TO TRANSVERTOR LEADS.
DO NOT JOIN PINS 1-2

SSA